

# OPTIMA SERIES SEATED ROW

OP-RW

## Parts Manual

2/5/2024 23:51:09 PM



**LifeFitness**  
WHAT WE LIVE FOR

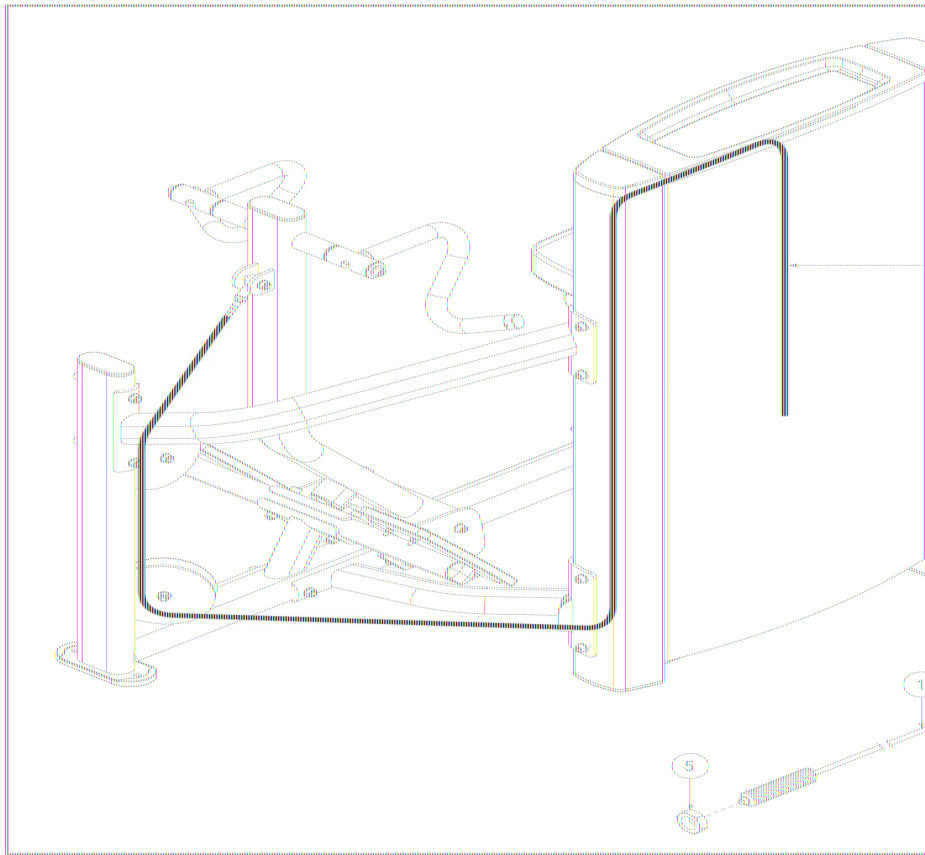
**Table of Contents**

---

<a href="#">OP-RW Cable Assembly.....</a>	<a href="#">3</a>
<a href="#">OP-RW Cap and Shroud Assembly.....</a>	<a href="#">4</a>
<a href="#">OP-RW Cross Braces.....</a>	<a href="#">5</a>
<a href="#">OP-RW Foot Plate Assembly.....</a>	<a href="#">6</a>
<a href="#">OP-RW Hardware Pack.....</a>	<a href="#">7</a>
<a href="#">OP-RW Headplate Assembly - 12 Plate.....</a>	<a href="#">8</a>
<a href="#">OP-RW Increment Weight Assembly - 12 Plate.....</a>	<a href="#">9</a>
<a href="#">OP-RW Main Frame Assembly.....</a>	<a href="#">10</a>
<a href="#">OP-RW Pulley Bracket Assembly.....</a>	<a href="#">11</a>
<a href="#">OP-RW Shroud Hardware Pack.....</a>	<a href="#">12</a>
<a href="#">OP-RW Tower Assembly.....</a>	<a href="#">13</a>
<a href="#">OP-RW Tower Hardware Pack.....</a>	<a href="#">15</a>
<a href="#">OP-RW Weight Stack Assembly - 12 Plate.....</a>	<a href="#">16</a>
<a href="#">OP-RW Work Arm Assembly.....</a>	<a href="#">17</a>

\*\* Upholstery & Frame Colors are listed at the end of the Parts Manual \*\*

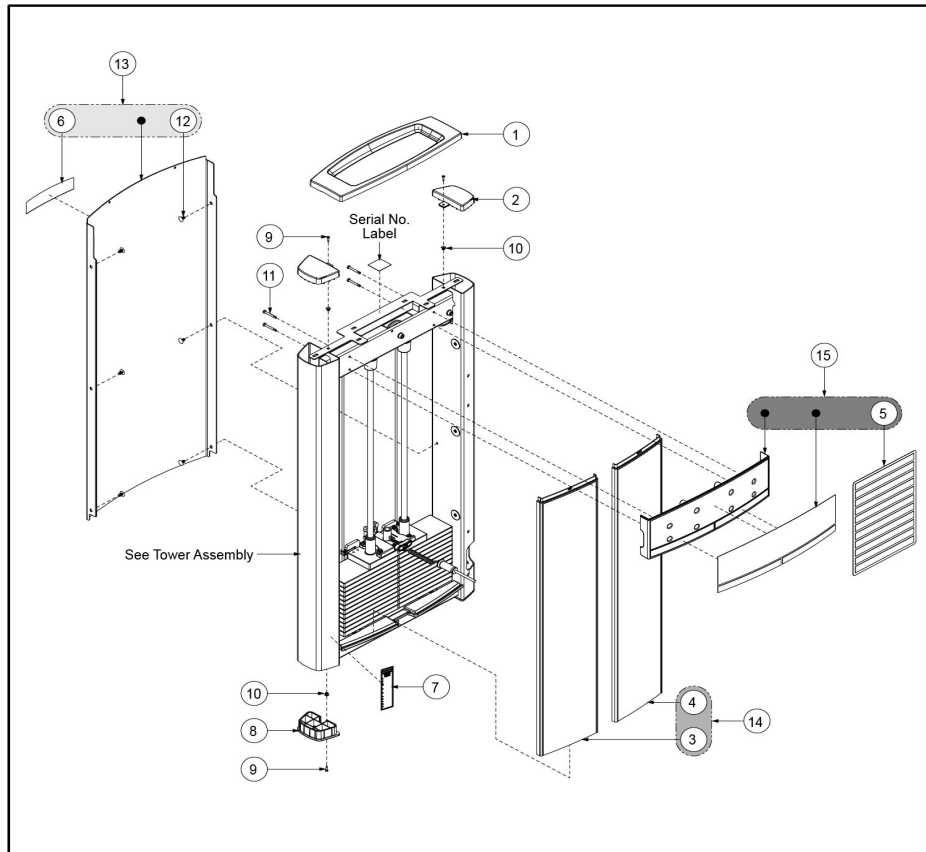
# OP-RW Cable Assembly



Ref #	Part Number	Qty	Description
1	1012382-0001	1	CABLE ASSY: OP-RW, TOWER
2	3237901	1	ROD END, METRIC FEMALE
3	7489402	2	BSHNG, .500 OD X .402 ID X .235
4	3236901	1	NUT, HEX JAM M10 X 1.5 SS
5	3236902	1	NUT, HEX JAM M16 X 2 SS

\*\* Upholstery and Frame Colors are list at the end of the Parts Manual \*\*

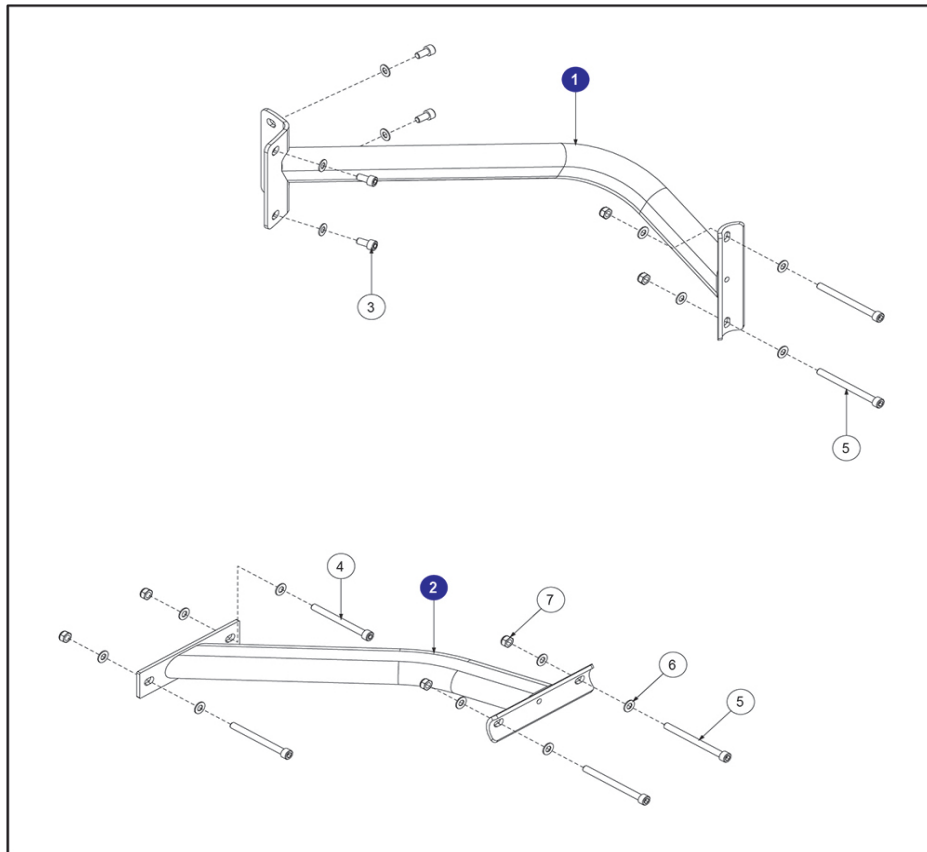
# OP-RW Cap and Shroud Assembly



Ref #	Part Number	Qty	Description
1	1012165-0001	1	CAP: TOP, TWR, OP
2	1011749-0001	1	CAP: TRAP TUBE
3	1011830-0001	1	SHROUD: FRONT, TWR, OP, LH, SHORT
4	1011830-0002	1	SHROUD: FRONT, TWR, OP, RH, SHORT
5	1013544-0016	1	DECAL: SHEET, MULTI-LINGUAL, OP-RW
6	1008491-0001	1	LABEL, LIFE FITNESS, 16IN
7	8630801	1	LABEL, ASTM, SELECT VERT-SHEET
8	9412701	2	ASSY, TRAP TUBE, CAP -BTM
9	3275801	4	SCREW, 8 X 3/4 DIN PHL PAN AB ST ZB
10	0017-00042-1147	4	GROMMET: SCREW, 8 OR 10
11	1012381-0006	4	SCREW: M6-1, HCS, 55MM
12	1006620-0001	8	RETAINER: PANEL, 9/32 X 1/2 NYL
13	1014559-0001	1	KIT: SHROUD, REAR, OP, STD
13	1014559-9001	1	KIT: SHROUD, REAR, OP, PLNT
14	1012950-0001	1	KIT: SHROUD, FRONT, OP, SHORT
14	1012950-9001	1	KIT: SHROUD, FRONT, OP, SHORT, PF
15	1014549-0016	1	KIT: CAP, FRONT, OP-RW

\*\* Upholstery and Frame Colors are list at the end of the Parts Manual \*\*

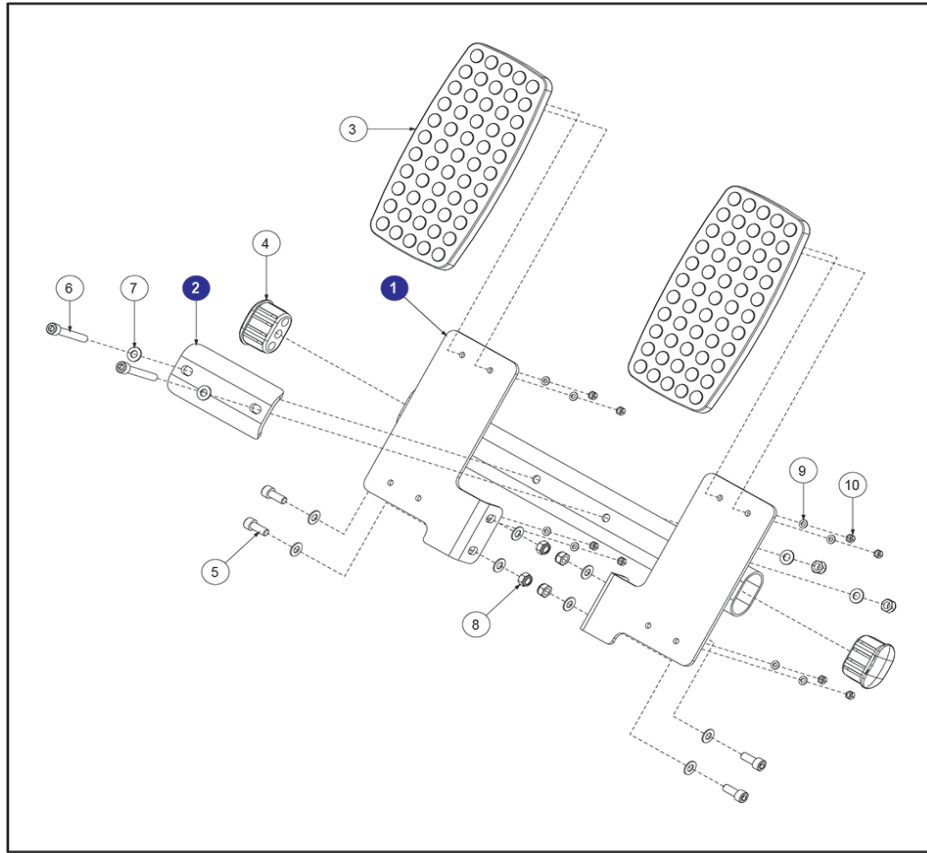
**OP-RW Cross Braces**



Ref #	Part Number	Qty	Description
1	1011876-0099	1	WLDMT, UPPER CROSS MEMBER, Custom
2	1011858-0099	1	WLDMT, CROSS MEMBER, Custom
3	3251701	4	M10 X 1.5 20 HXS SOC CS ST ZN
4	3251718	2	M10 X 1.5 X 110 HXS SOC CS ST ZN
5	3251719	4	M10 X 1.5 X 120 HXS SOC CS ST ZN
6	3102514	16	WASHER, FLAT 3/8 IN SAE ST ZN
7	LEA3242002	4	Hardware: Hex Nut 10MM D

\*\* Upholstery and Frame Colors are list at the end of the Parts Manual \*\*

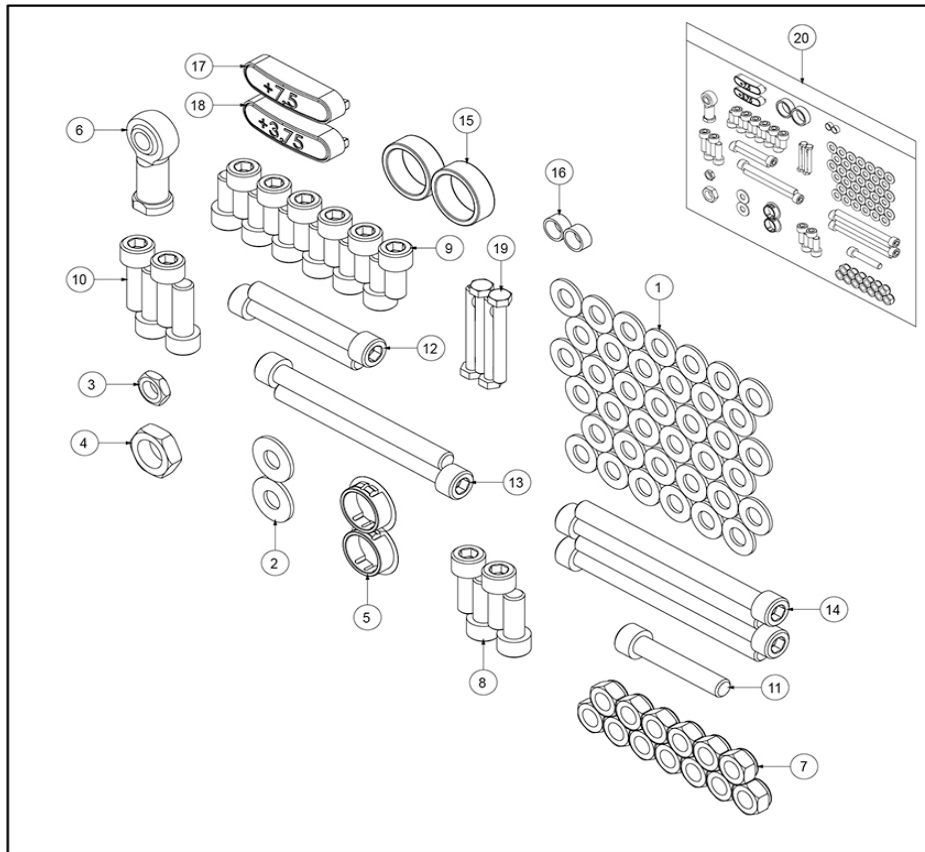
# OP-RW Foot Plate Assembly



Ref #	Part Number	Qty	Description
1	8516799	1	WLDMT, FOOT SUPPORT, OSRW, Custom
2	7985900	1	BRKT, SM FLOV, FLAT SIDE
3	7640302	2	FOOT PAD, CM/MJ OVERMOLD
4	7800502	2	CAP, SML FLOV END -CHR
5	LEA3251702	4	SCREW; M10 X1.5 25MM
6	3251711	2	M10 X 1.5 X 70 HXS SOC CS ST ZN
7	3102514	12	WASHER, FLAT 3/8 IN SAE ST ZN
8	LEA3242002	4	Hardware: Hex Nut 10MM D
9	3264101	8	WASHER, M6
10	3242003	8	NUT, M6 X 1.0 HEX NYLOCK SS

\*\* Upholstery and Frame Colors are list at the end of the Parts Manual \*\*

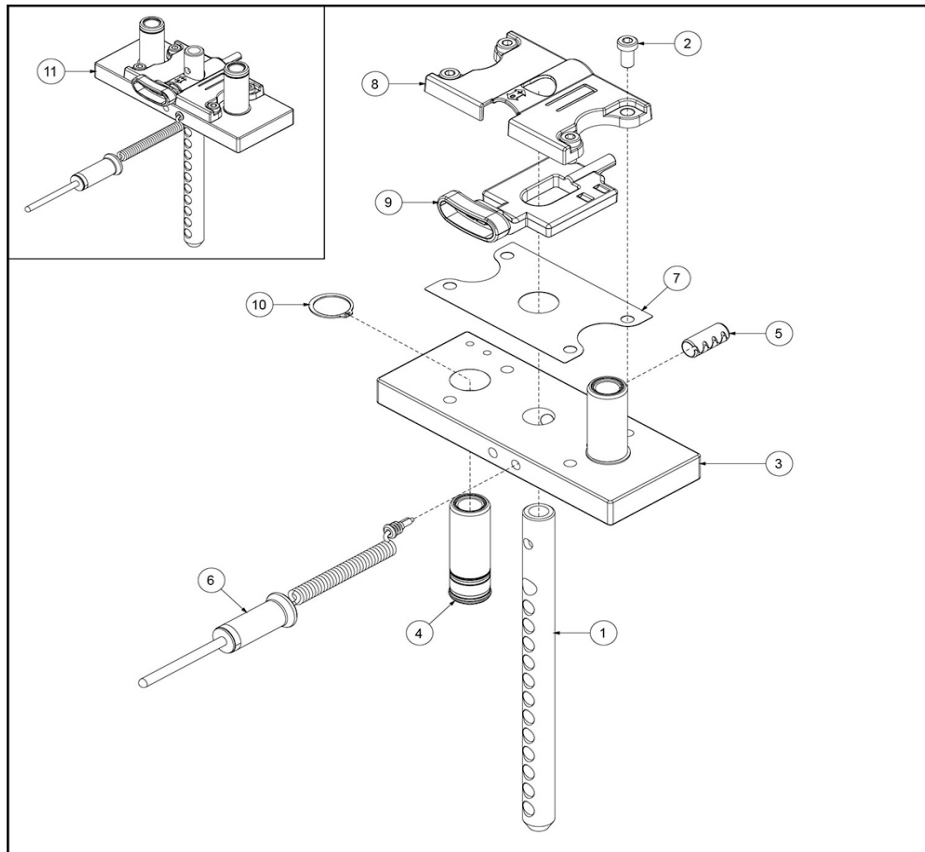
**OP-RW Hardware Pack**



Ref #	Part Number	Qty	Description
1	3102514	40	WASHER, FLAT 3/8 IN SAE ST ZN
2	3236602	2	WASHER, 3/8 ID X 1.25 OD SS
3	3236901	1	NUT, HEX JAM M10 X 1.5 SS
4	3236902	1	NUT, HEX JAM M16 X 2 SS
5	3237407	3	PLUG, 1 IN HOLE
6	3237901	1	ROD END, METRIC FEMALE
7	LEA3242002	15	Hardware: Hex Nut 10MM D
8	3251701	4	M10 X 1.5 20 HXS SOC CS ST ZN
9	LEA3251702	12	SCREW; M10 X1.5 25MM
10	3251703	4	M10 X 1.5 30 HXS SOC CS ST ZN
11	3251708	1	M10 X 1.5 X 55 HXS SOC CS ST ZN
12	3251711	2	M10 X 1.5 X 70 HXS SOC CS ST ZN
13	3251718	2	M10 X 1.5 X 110 HXS SOC CS ST ZN
14	3251719	4	M10 X 1.5 X 120 HXS SOC CS ST ZN
15	7330011	2	SPACER, INTERNAL X .425
16	7489402	2	BSHNG,.500 OD X .402 ID X .235
17	1006750-0001	1	CAP, 7.5 LB INC WEIGHT - LBS
18	1006751-0001	1	CAP: 3.75 KG INC WEIGHT - KG
19	1012381-0006	4	SCREW: M6-1, HCS, 55MM
20	1013133-0001	1	ASSEMBLY: OPRW, HARDWARE BAG

\*\* Upholstery and Frame Colors are list at the end of the Parts Manual \*\*

# OP-RW Headplate Assembly - 12 Plate

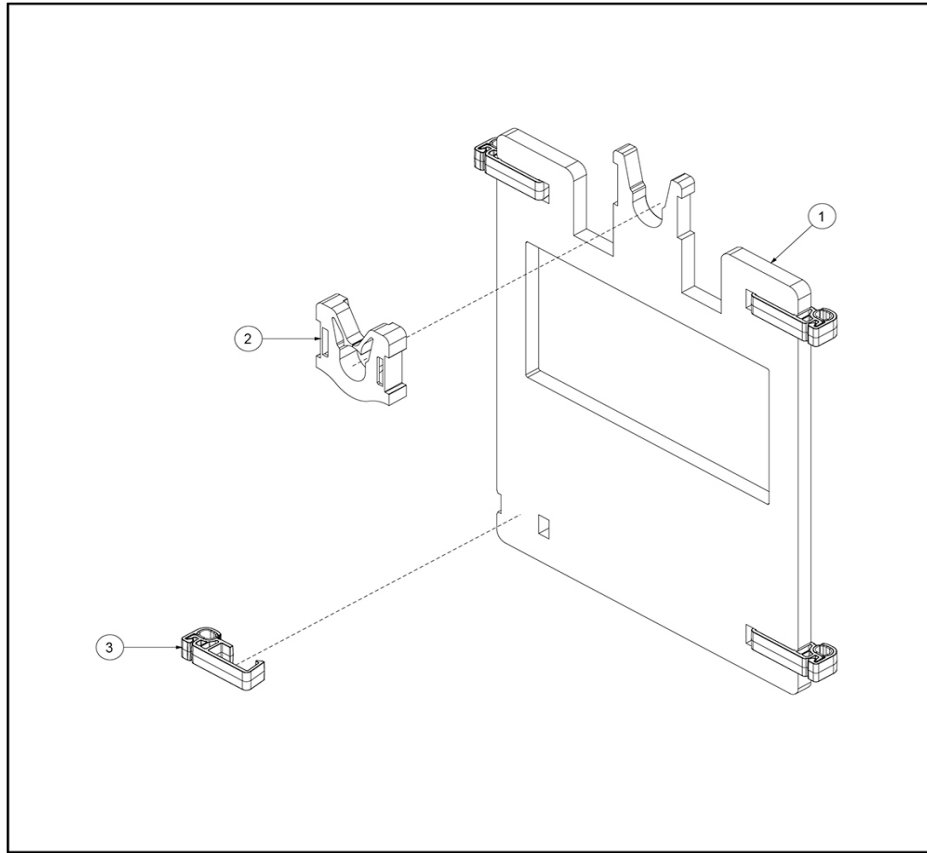


Ref #	Part Number	Qty	Description
1	1011243-0003	1	SHAFT: SELECTOR, 12 PLATE
2	3236201	4	M10 X 1.5 X 20 SHCS, LOW HEAD
3	9427401	1	HEADPLATE, WT. STACK, 10LB
4	1011240-0001	2	BUSHING ASSY: HEADPLATE, LONG, 3/4"
5	3236001	1	BUSHING, SPRING PIN
6	1003679-0003	1	ASSY, WGT STK SEL PIN -YEL
7	1006707-0001	1	DIE CUT: 7.5LB INC WEIGHT, NYLON SHEET, 0.020"
8	1007806-0001	1	HSNG, 7.5LB INC WEIGHT
9	1008675-0001	1	HANDLE: 7.5LB INC WT, PLASTIC
10	1011242-0001	2	RETAINING RING: EXTERNAL, TYPE NA1, 1-1/4"
11	1012947-0003	1	ASSEMBLY: HEADPLATE, OP, 12

\*\* Upholstery and Frame Colors are list at the end of the Parts Manual \*\*



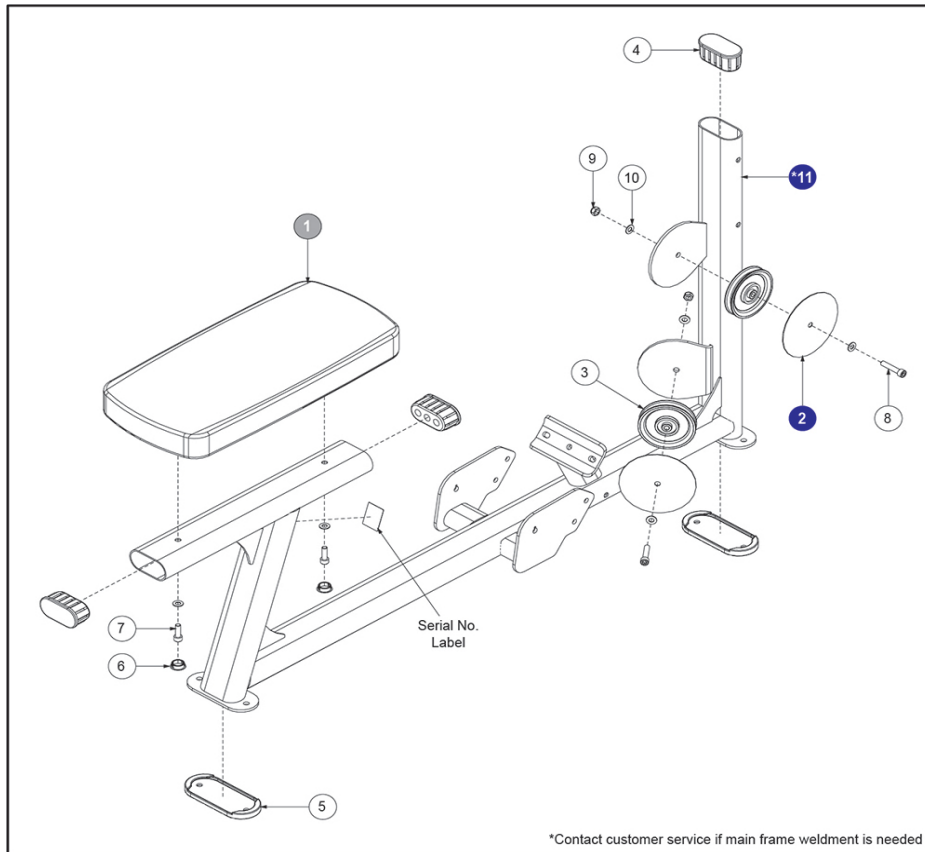
# OP-RW Increment Weight Assembly - 12 Plate



Ref #	Part Number	Qty	Description
1	1012315-3028	1	PLATE: INCR. WEIGHT, 7.5LBS, 12 PLATE - CHR
2	1008566-0001	1	GUARD: INCREMENT WEIGHT, 0.375
3	1010805-0001	4	GUIDE ROD ASSY: INCR WT, 3/8", CHARCOAL GRAY

\*\* Upholstery and Frame Colors are list at the end of the Parts Manual \*\*

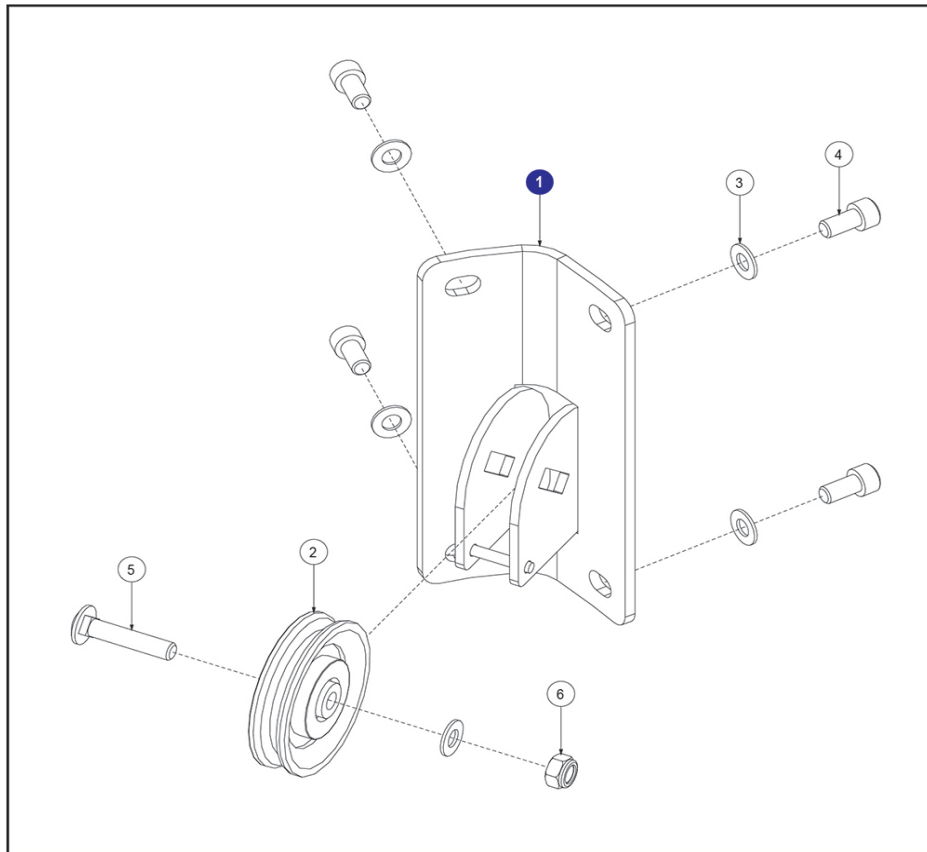
# OP-RW Main Frame Assembly



Ref #	Part Number	Qty	Description
1	1013393-0199	1	PAD: BACK, FLAT - DOUBLE STITCH- Custom
1	1013393-0099	1	PAD: BACK, FLAT - SINGLE STITCH- Custom
2	8514599	2	PLATE, OS PULLEY COVER, Custom
3	9319901	2	PULLEY, 3/16 IN CABLE (T2), 4.5 IN OD
4	8012902	3	CAP, MFLOV END -CHR
5	8474502	2	FOOT, OPTIMA -BLK
6	3237407	2	PLUG, 1 IN HOLE
7	3251703	2	M10 X 1.5 30 HXS SOC CS ST ZN
8	3251707	2	M10 X 1.5 X 50 HXS SOC CS ST ZN
9	LEA3242002	2	Hardware: Hex Nut 10MM D
10	3102514	4	WASHER, FLAT 3/8 IN SAE ST ZN
11	8518499	1	WLDMT, MAIN FRAME, OSRW, Custom

\*\* Upholstery and Frame Colors are list at the end of the Parts Manual \*\*

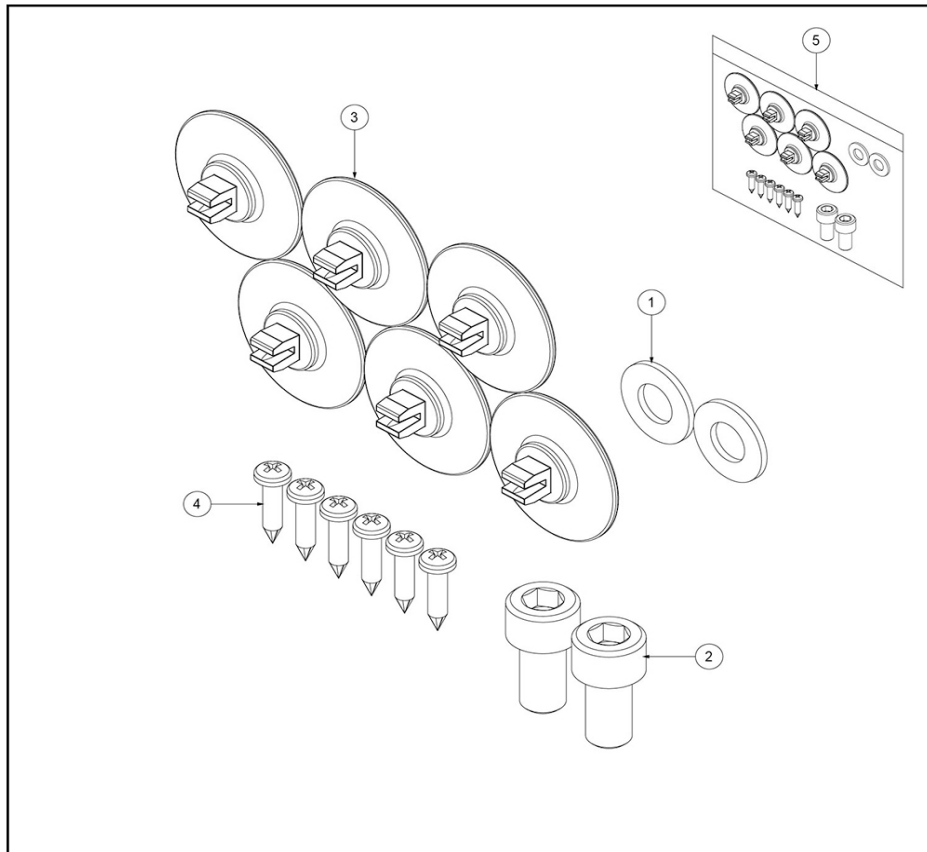
# OP-RW Pulley Bracket Assembly



Ref #	Part Number	Qty	Description
1	1012426-0099	1	WLDMNT, BRKT, PULLEY- Custom
2	3245702	1	PULLEY, 3.5IN OD, 10MM ID
3	3102514	5	WASHER, FLAT 3/8 IN SAE ST ZN
4	3251701	4	M10 X 1.5 20 HXS SOC CS ST ZN
5	1011498-0006	1	BOLT: SQR NECK, M10 X 1.5, 50MM
6	LEA3242002	1	Hardware: Hex Nut 10MM D

\*\* Upholstery and Frame Colors are list at the end of the Parts Manual \*\*

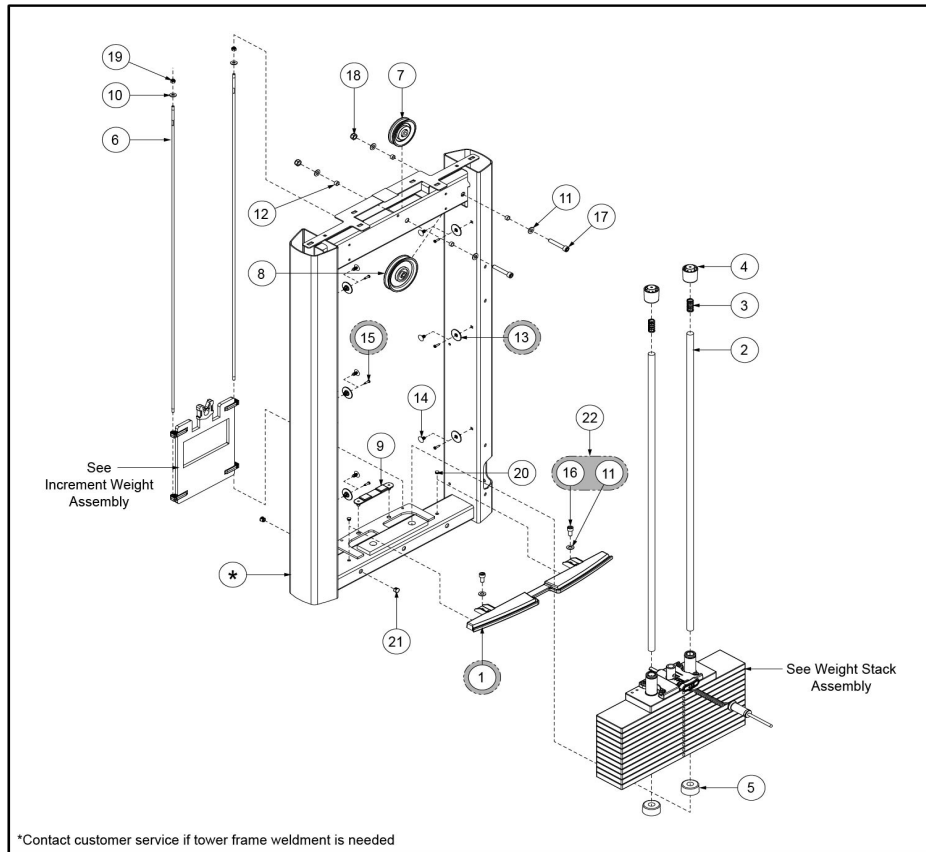
# OP-RW Shroud Hardware Pack



Ref #	Part Number	Qty	Description
1	3102514	2	WASHER, FLAT 3/8 IN SAE ST ZN
2	3251701	2	M10 X 1.5 20 HXS SOC CS ST ZN
3	1012251-0001	6	GROMMET: RETAINER, SHROUD
4	3275801	6	SCREW, 8 X 3/4 DIN PHL PAN AB ST ZB
5	1012951-0001	1	ASSEMBLY: HARDWARE, KIT, SHROUD, OP

\*\* Upholstery and Frame Colors are list at the end of the Parts Manual \*\*

# OP-RW Tower Assembly

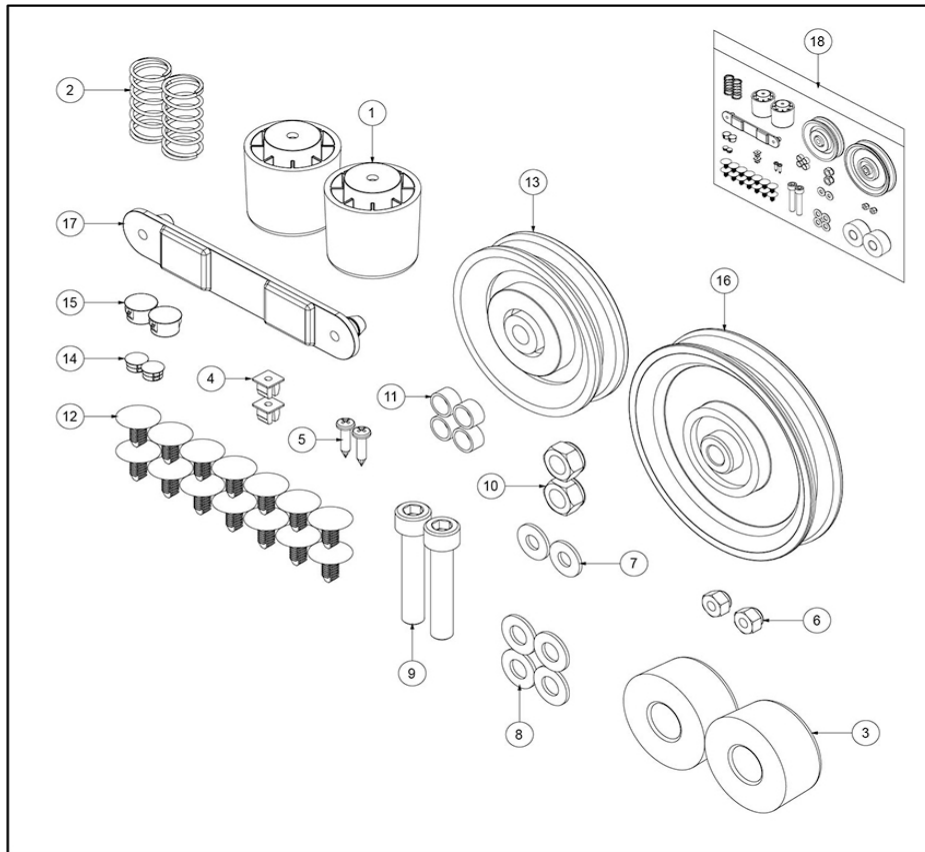


Ref #	Part Number	Qty	Description
1	1012110-0001	1	CAP: BOTTOM, TWR, OP
2	7328626	2	GUIDE ROD, .75 OD SOLID X 43.43
3	1011496-0001	2	SPRING: 0.72IN OD, 0.596IN ID, 1.50IN LG
4	1011495-0001	2	HOUSING: GUIDE ROD, OP
5	7352101	2	CUSHION, WEIGHT STACK
6	1008192-0004	2	GUIDE ROD: 0.25 OD SOLID, 44.84
7	3245702	1	PULLEY, 3.5IN OD, 10MM ID
8	9319901	1	PULLEY, 3/16 IN CABLE (T2), 4.5 IN OD
9	1011601-0001	1	BUMPER: INCR. SYSTEM, OP
10	3102506	2	WASHER, FLAT 1/4 ID ZN
11	3102514	6	WASHER, FLAT 3/8 IN SAE ST ZN
12	7489403	4	BSHNG, .500 OD X .402 ID X .272
13	1012251-0001	4	GROMMET: RETAINER, SHROUD
14	1006620-0001	4	RETAINER: PANEL, 9/32 X 1/2 NYL
15	3275801	4	SCREW, 8 X 3/4 DIN PHL PAN AB ST ZB
16	3251701	2	M10 X 1.5 20 HXS SOC CS ST ZN
17	3251708	2	M10 X 1.5 X 55 HXS SOC CS ST ZN
18	LEA3242002	2	Hardware: Hex Nut 10MM D
19	3102806	2	NUT, NYLOCK 1/4-20
20	1012319-0001	2	PLUG: 8.7MM OD, BLK
21	3237406	2	PLUG, 1/2 IN HOLE
22	1012950-9001	1	KIT: SHROUD, FRONT, OP, SHORT, PF

Ref #	Part Number	Qty	Description
22	1012950-0001	1	KIT: SHROUD, FRONT, OP, SHORT

\*\* Upholstery and Frame Colors are list at the end of the Parts Manual \*\*

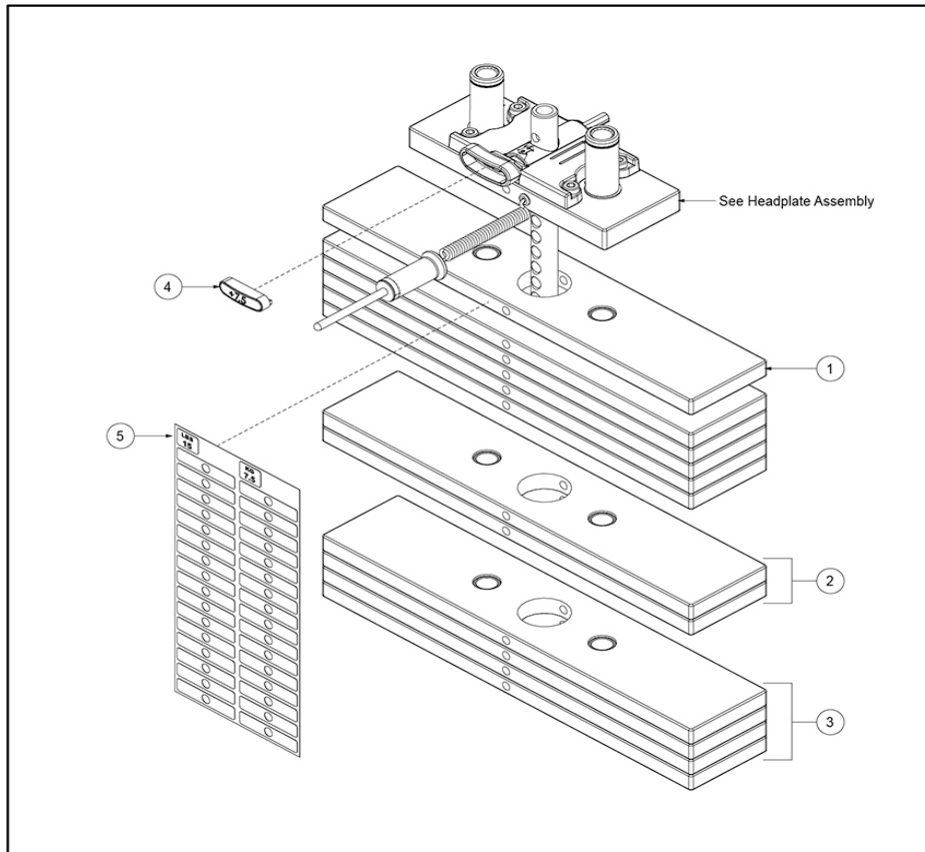
# OP-RW Tower Hardware Pack



Ref #	Part Number	Qty	Description
1	1011495-0001	2	HOUSING: GUIDE ROD, OP
2	1011496-0001	2	SPRING: 0.72IN OD, 0.596IN ID, 1.50IN LG
3	7352101	2	CUSHION, WEIGHT STACK
4	0017-00042-1147	2	GROMMET: SCREW, 8 OR 10
5	3275801	2	SCREW, 8 X 3/4 DIN PHL PAN AB ST ZB
6	3102806	2	NUT, NYLOCK 1/4-20
7	3102506	2	WASHER, FLAT 1/4 ID ZN
8	3102514	4	WASHER, FLAT 3/8 IN SAE ST ZN
9	3251708	2	M10 X 1.5 X 55 HXS SOC CS ST ZN
10	LEA3242002	2	Hardware: Hex Nut 10MM D
11	7489403	4	BSHNG, .500 OD X .402 ID X .272
12	1006620-0001	14	RETAINER: PANEL, 9/32 X 1/2 NYL
13	3245702	1	PULLEY, 3.5IN OD, 10MM ID
14	1012319-0001	2	PLUG: 8.7MM OD, BLK
15	3237406	2	PLUG, 1/2 IN HOLE
16	9319901	1	PULLEY, 3/16 IN CABLE (T2), 4.5 IN OD
17	1011601-0001	1	BUMPER: INCR. SYSTEM, OP
18	1013004-0001	1	ASSEMBLY: HARDWARE, TWR, OP

\*\* Upholstery and Frame Colors are list at the end of the Parts Manual \*\*

# OP-RW Weight Stack Assembly - 12 Plate

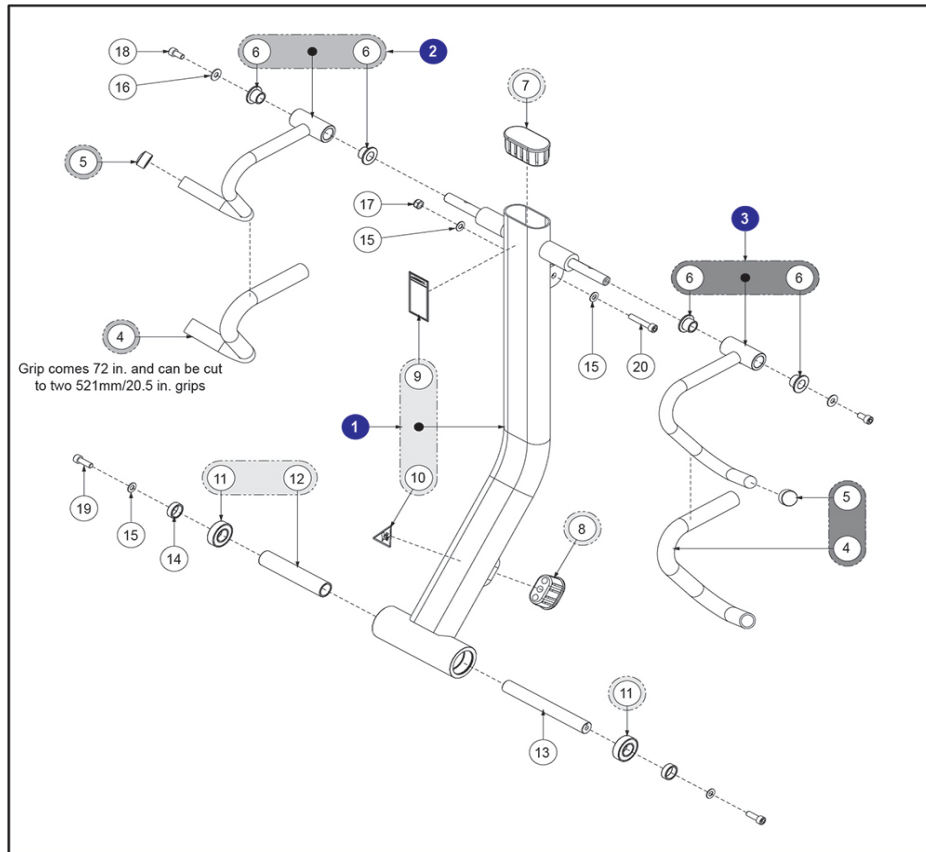


Ref #	Part Number	Qty	Description
1	1014560-0001	12	KIT: WEIGHT PLATE, OP, 1 PLATE
2	1014560-0002	6	KIT: WEIGHT PLATE, OP, 2 PLATE
3	1014560-0004	3	KIT: WEIGHT PLATE, OP, 4 PLATE
4	1006750-0001	1	CAP, 7.5 LB INC WEIGHT - LBS
4	1006751-0001	1	CAP: 3.75 KG INC WEIGHT - KG
5	1013156-0001	1	DECAL: WGT STK, 255LB/127.5KG

\*\* Upholstery and Frame Colors are list at the end of the Parts Manual \*\*



# OP-RW Work Arm Assembly



Ref #	Part Number	Qty	Description
1	1011853-0099	1	ASSEMBLY: PTD, WORKARM, OPRW Custom
2	1011847-0099	1	ASSEMBLY: OPRW, HANDLE, LEFT Custom
3	1011846-0099	1	ASSEMBLY: OPRW, HANDLE, RIGHT Custom
4	3235806	1	GRIP, 1.25 OD X .125 WALL OPEN END
5	7662901	2	CAP; GRIP 1.25 OD
6	3266603	4	BEARING, FLANGE, 19 MM
7	8012902	1	CAP, MFLOV END -CHR
8	7800502	1	CAP, SML FLOV END -CHR
9	8728501	1	LABEL, OSRW HANDLE INSTRUCTION
10	8039501	1	LABEL, WARNING TRIANGLE
11	3235601	2	BEARING, 6205 BALL
12	7330005	1	SPACER, INTERNAL X 6.265
13	7316504	1	SHAFT, 25MM X 8.250
14	7330011	2	SPACER, INTERNAL X .425
15	3102514	4	WASHER, FLAT 3/8 IN SAE ST ZN
16	3236602	2	WASHER, 3/8 ID X 1.25 OD SS
17	LEA3242002	1	Hardware: Hex Nut 10MM D
18	3251701	2	M10 X 1.5 20 HXS SOC CS ST ZN
19	3251703	2	M10 X 1.5 30 HXS SOC CS ST ZN
20	3251708	1	M10 X 1.5 X 55 HXS SOC CS ST ZN

\*\* Upholstery and Frame Colors are list at the end of the Parts Manual \*\*

# Frame and Upholstery Color Chart

## FRAME COLOR OPTION

SELECT POWDERCOAT COLOR

- BLACK
- BLUE
- CANDY APPLE RED
- CHARCOAL
- DIAMOND WHITE CLEAR
- ELECTRIC BLUE
- ICE BLUE METALLIC CLEAR
- MIDNIGHT METALLIC CLEAR
- MOCHA SAND
- PLATINUM CLEAR
- RED
- TITANIUM CLEAR
- WHITE
- YELLOW

## UPHOLSTERY COLOR OPTION

SELECT UPHOLSTERY COLOR

- AMERICAN BEAUTY RED
- AZURE
- BLACK
- BLACK CARBON FIBER
- BURGUNDY
- CANDY APPLE RED
- CHESTNUT
- CONCORD
- CRANBERRY
- DARK WALNUT
- DOVE GRAY
- EMERALD
- GRAPHITE
- GROTTO
- HUNTER GREEN
- IMPERIAL BLUE
- NAVY
- REGIMENTAL BLUE
- ROYAL BLUE
- SLATE
- SUEDE
- TERRA COTTA
- WHEAT

### UPHOLSTERY



Items with Gray call-outs require the upholstery color within the order notes.

### FRAME COLOR



Items with Blue call-outs require the powder coat frame color to be within the order notes.

